

浸入式加熱器 / IMMERSION HEATERS

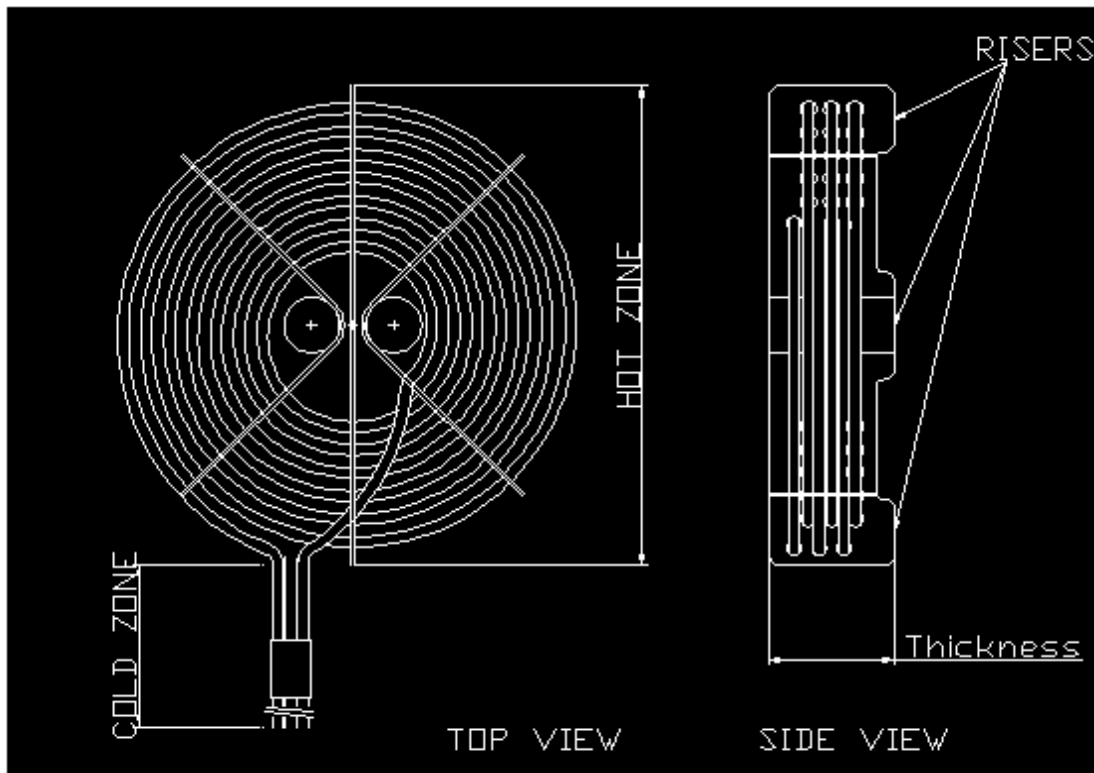
投入式特氟龍浸入加熱器 / DROP-IN SERIES HEATERS OF PTFE



CTIHD-2500350T60-1

特色 / FEATURES

- 可製作 3KW 和 6KW / Available in 3KW and 6KW.
- 220/380V 電壓 — 如要其他電壓，請與廠商查詢 / 220/380V, other voltages available, please consult your CT HEATERS representative.
- 紮實穩重的結構，防止流浮 / Rugged construction prevents floating.
- 可選擇單相或三相出線 / Choice of single phase or 3 phase.
- 可搭配感溫線 J 或 K type / Choice of thermocouple types, J or K.
- 新懸空設計，防止直接接觸容器底部或邊 / New designed for better circulation.
- 防水部份 1.5 公尺出線+1 公尺電源線，如要其他長度的出線，請與廠商查詢 / 1.5m PTFE outlet + 1m flexible PVC conduit. Longer outlet available, please consult your CT HEATERS representative.
- 請使用液位控制器 / USE OF LIQUID LEVEL CONTROLS IS STRONGLY RECOMMENDED.



Factory:
16 Tung Yuan 2nd Road, Chung Li Industrial Park,
Chungli city, Taoyuan county, Taiwan, R.O.C.
TEL: +886-3-452-1328 FAX: +886-3-452-9539

Office:
221 Chung Ching N. Road, Section 3, Taipei, Taiwan,
R.O.C.
TEL: +886-2-2594-0385 FAX: +886-2-2596-8109

<http://www.ctheaters.com> E-mail: ct.heaters@msa.hinet.net Tax #: 07105140

投入式特氟龍浸入加熱器 / DROP-IN SERIES HEATERS OF PTFE

型號 MODEL NUMBERS	規格 SPECIFICATIONS					
電熱管 Element Only	瓦特 Watts	電壓 Volts "/"=or	直徑發熱部 份 Hot Zone (mm)	厚度 Thickness (mm)	出線 Phase	感溫線 Thermocouple Type
CTIHD-900185T35-1	900	220	185	35	單相 / 1	無 / NO
CTIHD-900185T35-1-J	900	220	185	35	單相 / 1	J
CTIHD-900185T35-1-K	900	220	185	35	單相 / 1	K
CTIHD-900185T35-3	900	220/380	185	35	三相 / 3	無 / NO
CTIHD-900185T35-3-J	900	220/380	185	35	三相 / 3	J
CTIHD-900185T35-3-K	900	220/380	185	35	三相 / 3	K
CTIHD-1000195T40-1	1000	220	195	40	單相 / 1	無 / NO
CTIHD-1000195T40-1-J	1000	220	195	40	單相 / 1	J
CTIHD-1000195T40-1-K	1000	220	195	40	單相 / 1	K
CTIHD-1000195T40-3	1000	220/380	195	40	三相 / 3	無 / NO
CTIHD-1000195T40-3-J	1000	220/380	195	40	三相 / 3	J
CTIHD-1000195T40-3-K	1000	220/380	195	40	三相 / 3	K
CTIHD-1500210T40-1	1500	220	210	40	單相 / 1	無 / NO
CTIHD-1500210T40-1-J	1500	220	210	40	單相 / 1	J
CTIHD-1500210T40-1-K	1500	220	210	40	單相 / 1	K
CTIHD-1500210T40-3	1500	220/380	210	40	三相 / 3	無 / NO
CTIHD-1500210T40-3-J	1500	220/380	210	40	三相 / 3	J
CTIHD-1500210T40-3-K	1500	220/380	210	40	三相 / 3	K
CTIHD-2000195T40-1	2000	220	195	40	單相 / 1	無 / NO
CTIHD-2000195T40-1-J	2000	220	195	40	單相 / 1	J
CTIHD-2000195T40-1-K	2000	220	195	40	單相 / 1	K

如要其他瓦特，請與廠商查詢 / Other wattages available, please consult your CT HEATERS representative

Factory:

16 Tung Yuan 2nd Road, Chung Li Industrial Park,
Chungli city, Taoyuan county, Taiwan, R.O.C.

TEL: +886-3-452-1328 FAX: +886-3-452-9539

<http://www.ctheaters.com>

Office:

221 Chung Ching N. Road, Section 3, Taipei, Taiwan,
R.O.C.

TEL: +886-2-2594-0385 FAX: +886-2-2596-8109

E-mail: ct.heaters@msa.hinet.net

Tax #: 07105140

投入式特氟龍浸入加熱器 / DROP-IN SERIES HEATERS OF PTFE

型號 MODEL NUMBERS	規格 SPECIFICATIONS					
電熱管 Element Only	瓦特 Watts	電壓 Volts "/"=or	直徑發熱部 份 Hot Zone (mm)	厚度 Thickness (mm)	出線 Phase	感溫線 Thermocouple Type
CTIHD-2000195T40-3	2000	220	195	40	單相 / 1	無 / NO
CTIHD-2000195T40-3-J	2000	220	195	40	單相 / 1	J
CTIHD-2000195T40-3-K	2000	220	195	40	單相 / 1	K
CTIHD-2000195T80-1	2000	220	195	80	單相 / 1	無 / NO
CTIHD-2000195T80-1-J	2000	220	195	80	單相 / 1	J
CTIHD-2000195T80-1-K	2000	220	195	80	單相 / 1	K
CTIHD-2000195T80-3	2000	220/380	195	80	三相 / 3	無 / NO
CTIHD-2000195T80-3-J	2000	220/380	195	80	三相 / 3	J
CTIHD-2000195T80-3-K	2000	220/380	195	80	三相 / 3	K
CTIHD-2000230T40-1	2000	220	230	40	單相 / 1	無 / NO
CTIHD-2000230T40-1-J	2000	220	230	40	單相 / 1	J
CTIHD-2000230T40-1-K	2000	220	230	40	單相 / 1	K
CTIHD-2000230T40-3	2000	220/380	230	40	三相 / 3	無 / NO
CTIHD-2000230T40-3-J	2000	220/380	230	40	三相 / 3	J
CTIHD-2000230T40-3-K	2000	220/380	230	40	三相 / 3	K
CTIHD-3000195T80-1	3000	220	195	80	單相 / 1	無 / NO
CTIHD-3000195T80-1-J	3000	220	195	80	單相 / 1	J
CTIHD-3000195T80-1-K	3000	220	195	80	單相 / 1	K
CTIHD-3000195T80-3	3000	220/380	195	80	三相 / 3	無 / NO
CTIHD-3000195T80-3-J	3000	220/380	195	80	三相 / 3	J
CTIHD-3000195T80-3-K	3000	220/380	195	80	三相 / 3	K

如要其他瓦特，請與廠商查詢 / Other wattages available, please consult your CT HEATERS representative

Factory:
 16 Tung Yuan 2nd Road, Chung Li Industrial Park,
 Chungli city, Taoyuan county, Taiwan, R.O.C.
 TEL: +886-3-452-1328 FAX: +886-3-452-9539

Office:
 221 Chung Ching N. Road, Section 3, Taipei, Taiwan,
 R.O.C.
 TEL: +886-2-2594-0385 FAX: +886-2-2596-8109

<http://www.ctheaters.com> E-mail: ct.heaters@msa.hinet.net Tax #: 07105140

投入式特氟龍浸入加熱器 / DROP-IN SERIES HEATERS OF PTFE

型號 MODEL NUMBERS	規格 SPECIFICATIONS					
電熱管 Element Only	瓦特 Watts	電壓 Volts "/"=or	直徑發熱部 份 Hot Zone (mm)	厚度 Thickness (mm)	出線 Phase	感溫線 Thermocouple Type
CTIHD-3000270T70-1	3000	220	270	70	單相 / 1	無 / NO
CTIHD-3000270T70-1-J	3000	220	270	70	單相 / 1	J
CTIHD-3000270T70-1-K	3000	220	270	70	單相 / 1	K
CTIHD-3000270T70-3	3000	220/380	270	70	三相 / 3	無 / NO
CTIHD-3000270T70-3-J	3000	220/380	270	70	三相 / 3	J
CTIHD-3000270T70-3-K	3000	220/380	270	70	三相 / 3	K
CTIHD-3000300T70-1	3000	220	300	70	單相 / 1	無 / NO
CTIHD-3000300T70L-1-J	3000	220	300	70	單相 / 1	J
CTIHD-3000300T70-1-K	3000	220	300	70	單相 / 1	K
CTIHD-3000300T70-3	3000	220/380	300	70	三相 / 3	無 / NO
CTIHD-3000300T70-3-J	3000	220/380	300	70	三相 / 3	J
CTIHD-3000300T70-3-K	3000	220/380	300	70	三相 / 3	K
CTIHD-2500350T60-1	2500	220	350	60	單相 / 1	無 / NO
CTIHD-2500350T60-1-J	2500	220	350	60	單相 / 1	J
CTIHD-2500350T60-1-K	2500	220	350	60	單相 / 1	K
CTIHD-6000350T125-1	6000	220	350	125	單相 / 1	無 / NO
CTIHD-6000350T125-1-J	6000	220	350	125	單相 / 1	J
CTIHD-6000350T125-1-K	6000	220	350	125	單相 / 1	K
CTIHD-6000350T125-3	6000	220/380	350	125	三相 / 3	無 / NO
CTIHD-6000350T125-3-J	6000	220/380	350	125	三相 / 3	J
CTIHD-6000350T125-3-K	6000	220/380	350	125	三相 / 3	K

如要其他瓦特，請與廠商查詢 / Other wattages available, please consult your CT HEATERS representative

Factory:
 16 Tung Yuan 2nd Road, Chung Li Industrial Park,
 Chungli city, Taoyuan county, Taiwan, R.O.C.
 TEL: +886-3-452-1328 FAX: +886-3-452-9539

Office:
 221 Chung Ching N. Road, Section 3, Taipei, Taiwan,
 R.O.C.
 TEL: +886-2-2594-0385 FAX: +886-2-2596-8109

<http://www.ctheaters.com> E-mail: ct.heaters@msa.hinet.net Tax #: 07105140

投入式(橢圓形)特氟龍浸入加熱器 / DROP-IN SERIES HEATERS OF PTFE OVAL

特色 / FEATURES

- 可製作 3KW 和 6KW / Available in 3KW and 6KW.
- 220/380V 電壓 — 如要其他電壓，請與廠商查詢 / 220/380V, other voltages available, please consult your CT HEATERS representative.
- 紮實穩重的結構，防止流浮 / Rugged construction prevents floating.
- 可選擇單相或三相出線 / Choice of single phase or 3 phase.
- 可搭配感溫線 J 或 K type / Choice of thermocouple types, J or K.
- 新懸空設計，防止直接接觸容器底部或邊 / New designed for better circulation. CTIHDO-3000500220T50-3
- 防水部份 1.5 公尺出線+1 公尺電源線，如要其他長度的出線，請與廠商查詢 / 1.5m PTFE outlet + 1m flexible PVC conduit. Longer outlet available, please consult your CT HEATERS representative.
- 請使用液位控制器 / USE OF LIQUID LEVEL CONTROLS IS STRONGLY RECOMMENDED.



型號 MODEL NUMBERS	規格 SPECIFICATIONS					
電熱管 Element Only	瓦特 Watts	電壓 Volts "/"=or	發熱部份 Hot Zone (mm)	厚度 Thickness (mm)	出線 Phase	感溫線 Thermocouple Type
CTIHDO-3000500220T50-1	3000	220	500X220	50	單相 / 1	無 / NO
CTIHDO-3000500220T50-1-J	3000	220	500X220	50	單相 / 1	J
CTIHDO-3000500220T50-1-K	3000	220	500X220	50	單相 / 1	K
CTIHDO-3000500220T50-3	3000	220/380	500X220	50	三相 / 3	無 / NO
CTIHDO-3000500220T50-3-J	3000	220/380	500X220	50	三相 / 3	J
CTIHDO-3000500220T50-3-K	3000	220/380	500X220	50	三相 / 3	K

如要其他瓦特，請與廠商查詢 / Other wattages available, please consult your CT HEATERS representative

Factory:
 16 Tung Yuan 2nd Road, Chung Li Industrial Park,
 Chungli city, Taoyuan county, Taiwan, R.O.C.
 TEL: +886-3-452-1328 FAX: +886-3-452-9539

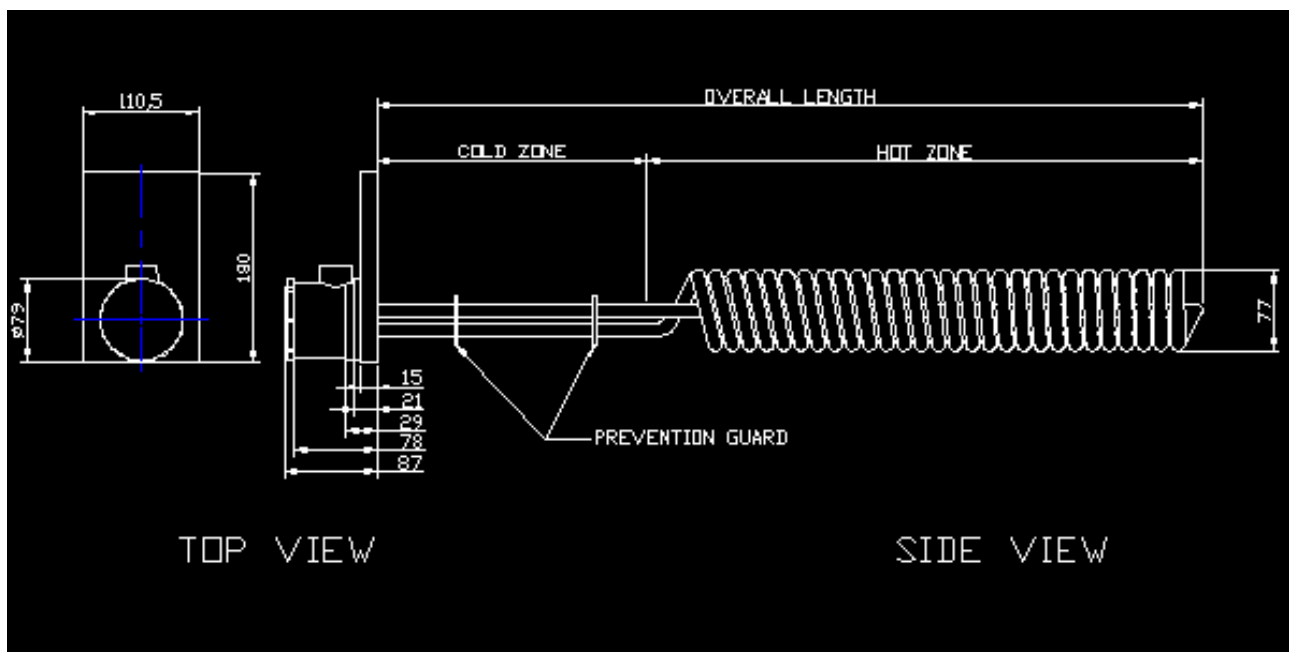
Office:
 221 Chung Ching N. Road, Section 3, Taipei, Taiwan,
 R.O.C.
 TEL: +886-2-2594-0385 FAX: +886-2-2596-8109

<http://www.ctheaters.com> E-mail: ct.heaters@msa.hinet.net Tax #: 07105140

直式特氟龍浸入加熱器 / STRAIGHT SERIES HEATERS OF PTFE

特色 / FEATURES

- 可製作 1KW 到 6KW / Available in 1KW to 6KW.
- 120、240 或 480V 電壓 — 如要其他電壓，請與廠商查詢 / 120, 220 and 480 volts — other voltages available, please consult your CT HEATERS representative.
- 紮實穩重的結構，防止流浮 / Rugged construction prevents floating.
- 可選擇單相或三相出線 / Choice of single phase or 3 phase.
- 可搭配感溫線 J 或 K type / Optional of thermocouple types, J or K, please consult your CT HEATERS representative.
- 不發熱部份，如須較長的不發熱部份，請與廠商查詢 / Straight section is not heated. Longer straight section is available; please consult your CT HEATERS representative.
- 防水性強、不易燃的酚基塑膠出線頭 / Vapor tight, flame retardant, Bakelite terminal box, (shown).
- 請使用液位控制器 / USE OF LIQUID LEVEL CONTROLS IS STRONGLY RECOMMENDED.



Factory:
 16 Tung Yuan 2nd Road, Chung Li Industrial Park,
 Chungli city, Taoyuan county, Taiwan, R.O.C.
 TEL: +886-3-452-1328 FAX: +886-3-452-9539

Office:
 221 Chung Ching N. Road, Section 3, Taipei, Taiwan,
 R.O.C.
 TEL: +886-2-2594-0385 FAX: +886-2-2596-8109

<http://www.ctheaters.com> E-mail: ct.heaters@msa.hinet.net Tax #: 07105140

直式特氟龍浸入加熱器 / STRAIGHT SERIES HEATERS OF PTFE

型號 MODEL NUMBERS	規格 SPECIFICATIONS				
電熱管 Element Only	瓦特 Watts	電壓 Volts	總長 Length (mm)	發熱部份 Hot Zone (mm)	不發熱部份 Cold Zone (mm)
CTIHS-1000120E	1000	120	280	180	100
CTIHS-1000240E		240			
CTIHS-2000120E	2000	120	430	305	125
CTIHS-2000240E		240			
CTIHS-2000480E		480			
CTIHS-3000240E	3000	240	585	355	230
CTIHS-3000480E		480			
CTIHS-4000240E	4000	240	735	505	230
CTIHS-4000480E		480			
CTIHS-5000240E	5000	240	890	635	255
CTIHS-5000480E		480			
CTIHS-6000240E	6000	240	1015	735	280
CTIHS-6000480E		480			

Factory:
 16 Tung Yuan 2nd Road, Chung Li Industrial Park,
 Chungli city, Taoyuan county, Taiwan, R.O.C.
 TEL: +886-3-452-1328 FAX: +886-3-452-9539

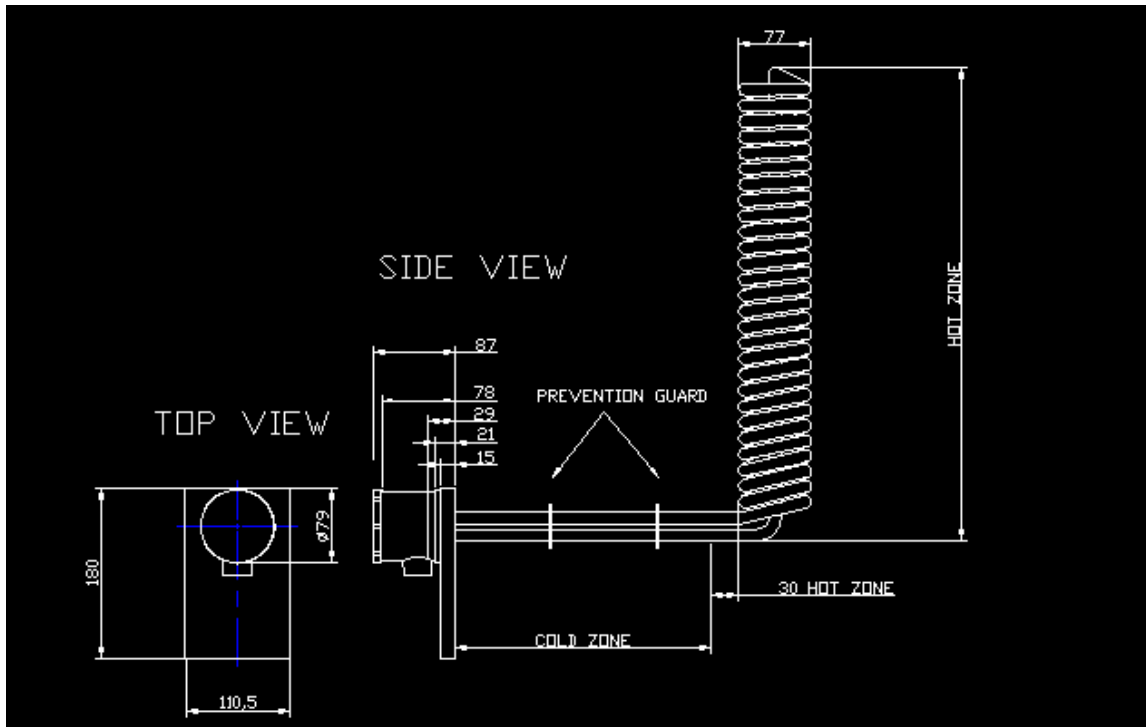
Office:
 221 Chung Ching N. Road, Section 3, Taipei, Taiwan,
 R.O.C.
 TEL: +886-2-2594-0385 FAX: +886-2-2596-8109

<http://www.ctheaters.com> E-mail: ct.heaters@msa.hinet.net Tax #: 07105140

L 式特氟龍浸入加熱器 / L-SHAPED SERIES HEATERS OF PTFE

特色 / FEATURES

- 可製作 1KW 到 6KW / Available in 1KW to 6KW.
- 120、240 或 480V 電壓 — 如要其他電壓，請與廠商查詢 / 120, 220 and 480 volts — other voltages available, please consult your CT HEATERS representative.
- 紮實穩重的結構，防止流浮 / Rugged construction prevents floating.
- 可選擇單相或三相出線 / Choice of single phase or 3 phase.
- 可搭配感溫線 J 或 K type / Optional of thermocouple types, J or K, please consult your CT HEATERS representative.
- 垂直部份不發熱，如須較長的垂直不發熱部份，請與廠商查詢 / Vertical section is not heated. Longer vertical section is available, please consult your CT HEATERS representative.
- 水平發熱螺旋部份，可靠發揮均溫的作用 / Heater element extends horizontally place at the bottom of the tank, results in superior heat distribution
- 防水性強、不易燃的酚基塑膠出線頭 / Vapor tight, flame retardant, Bakelite terminal box, (not shown).
- 請使用液位控制器 / USE OF LIQUID LEVEL CONTROLS IS STRONGLY RECOMMENDED.



Factory:
 16 Tung Yuan 2nd Road, Chung Li Industrial Park,
 Chungli city, Taoyuan county, Taiwan, R.O.C.
 TEL: +886-3-452-1328 FAX: +886-3-452-9539

Office:
 221 Chung Ching N. Road, Section 3, Taipei, Taiwan,
 R.O.C.
 TEL: +886-2-2594-0385 FAX: +886-2-2596-8109

<http://www.ctheaters.com> E-mail: ct.heaters@msa.hinet.net Tax #: 07105140

L 式特氟龍浸入加熱器 / L-SHAPED SERIES HEATERS OF PTFE

型號 MODEL NUMBERS	規格 SPECIFICATIONS			
電熱管 Element Only	瓦特 Watts	電壓 Volts	水平發熱部份 Horiz. Hot Zone (mm)	垂直不發熱部份 Vert. Ht. Cold Zone (mm)
CTIHL-1000120E CTIHL-1000240E	1000	120	230	305
		240		
CTIHL-2000120E CTIHL-2000240E CTIHL-2000480E	2000	120	330	460
		240		
		480		
CTIHL-3000240E CTIHL-3000480E	3000	240	430	460
		480		
CTIHL-4000240E CTIHL-4000480E	4000	240	530	460
		480		
CTIHL-5000240E CTIHL-5000480E	5000	240	635	460
		480		
CTIHL-6000240E CTIHL-6000480E	6000	240	735	460
		480		

如須要與測溫線結合，請與廠商查詢 / Internal thermocouple available, please consult your CT HEATERS representative.

感溫線 / Thermocouple Types

ANSI TYPE	CONDUCTOR POSITIVE (+)	CHARACTERISTICS NEGATIVE (-)	RECOMMENDED TEMPERATURE RANGE	
			°C	°F
J	IRON (Magnetic)	CONSTANTAN (Non-magnetic)	-20 to 540	0 to 1000
K	CHROMEL® (Non-magnetic)	ALUMEL® (Magnetic)	-20 to 1100	0 to 2000

ALUMEL® and CHROMEL® are registered trademarks of the Hoskins Manufacturing Company

Factory:
 16 Tung Yuan 2nd Road, Chung Li Industrial Park,
 Chungli city, Taoyuan county, Taiwan, R.O.C.
 TEL: +886-3-452-1328 FAX: +886-3-452-9539

Office:
 221 Chung Ching N. Road, Section 3, Taipei, Taiwan,
 R.O.C.
 TEL: +886-2-2594-0385 FAX: +886-2-2596-8109

<http://www.ctheaters.com> E-mail: ct.heaters@msa.hinet.net Tax #: 07105140

如何訂購特殊規格? / How to custom-made?

訂購浸入式加熱器時請提供以下的條件 / To help the ordering process, provide the following information:

水位 / Liquid level

液體及酸鹼值¹ / Liquid type and pH level¹ (註解 / Note: 1. 關係到選用材質與安全度)

筒或槽大小深度或容量 / Size of tank or container or volume

加熱器材質及管徑 / Sheath material and diameter

加熱時間 / Target timing to reach desire temperature

要達到的溫度 / Require temperature

電壓及瓦特數 / Volts and watts

彎管的型態 / Bend formation

出線部份單相或三相 / Termination

固定方式(法蘭式或掛勾式等) / Mounting(flanged, hook and others)

不發熱部份的長度 / Length of un-heated

數量 / Quantity

聚四氟乙烯 / PolyTetra FluoroEthylene(PTFE)—PTFE Tubing has become the gold standard in industries requiring the ultimate in lubricity, high temperature use, chemical resistance, biocompatibility, and precision extruded tolerances. **Use temperature at 250°C max., melt temperature at 327°C.**

Polyfluoro Ethylene Propylene(FEP)—Applications where **FEP** tubing is chosen usually require more clarity, flexibility or a lower heat shrinkable temperature than PTFE. **Use temperature at 200°C max., melt temperature at 285°C.**

PerFluoroAlkoxy(PFA)—PFA tubing is often the resin of choice when additional clarity, flexibility, and a higher continuous service temperature are required. **Use temperature at 250°C max., melt temperature at 305°C.**

Copolymer of Ethylene and Tetrafluoro Ethylene(ETFE)—ETFE tubing is used in applications requiring excellent impact resistance and good resistance to stress cracking. **Use temperature at 150°C max., melt temperature at 270°C.**

※※No warranty shall attach to all consumable parts (including the heater elements, thermocouples, etc.), therefore, you are requested to observe the above conditions.※※[CHENG TAY HEATER & INSTRUMENT CO., LTD., Taiwan]

Factory:

16 Tung Yuan 2nd Road, Chung Li Industrial Park,
Chungli city, Taoyuan county, Taiwan, R.O.C.

TEL: +886-3-452-1328 FAX: +886-3-452-9539

<http://www.ctheaters.com>

Office:

221 Chung Ching N. Road, Section 3, Taipei, Taiwan,
R.O.C.

TEL: +886-2-2594-0385 FAX: +886-2-2596-8109

E-mail: ct.heaters@msa.hinet.net

Tax #: 07105140

訂購傳真/INQUIRY FAX

底本/MASTER-COPY

公司/Company	電話/Phone
姓名/Name	傳真/Fax
地址/Street	行動電話 Mobile Phone
郵遞區號/Zip Code	電子信箱 E-Mail
國家/Country	公司網址/Website

型號 Model Number	數量 Quantity	規格 Specification	特殊需求 (例:電源線長度) Special requests (e.g. Length of power cord)

日期/Date

簽名蓋章/Signature, stamp

Please send this inquiry directly to the CT HEATERS representative in your country. You will find all the contact information on our website at www.ctheaters.com. For further information please do not hesitate to contact us by the phone number +886-3-452-1328.

※※No warranty shall attach to all consumable parts (including the heater elements, thermocouples, etc.), therefore, you are requested to observe the above conditions.※※[CHENG TAY HEATER & INSTRUMENT CO., LTD., Taiwan]CT HEATERS or CHENG TAY HEATER & INSTRUMENT CO., LTD. reserves the right to bring any modifications to our products. We manufacture products according to drawings which serve as contractual documents. We are not responsible for damage resulting from inappropriate installation or use of our product.

Factory:
 16 Tung Yuan 2nd Road, Chung Li Industrial Park,
 Chungli city, Taoyuan county, Taiwan, R.O.C.
 TEL: +886-3-452-1328 FAX: +886-3-452-9539

Office:
 221 Chung Ching N. Road, Section 3, Taipei, Taiwan,
 R.O.C.
 TEL: +886-2-2594-0385 FAX: +886-2-2596-8109

<http://www.ctheaters.com> E-mail: ct.heaters@msa.hinet.net Tax #: 07105140